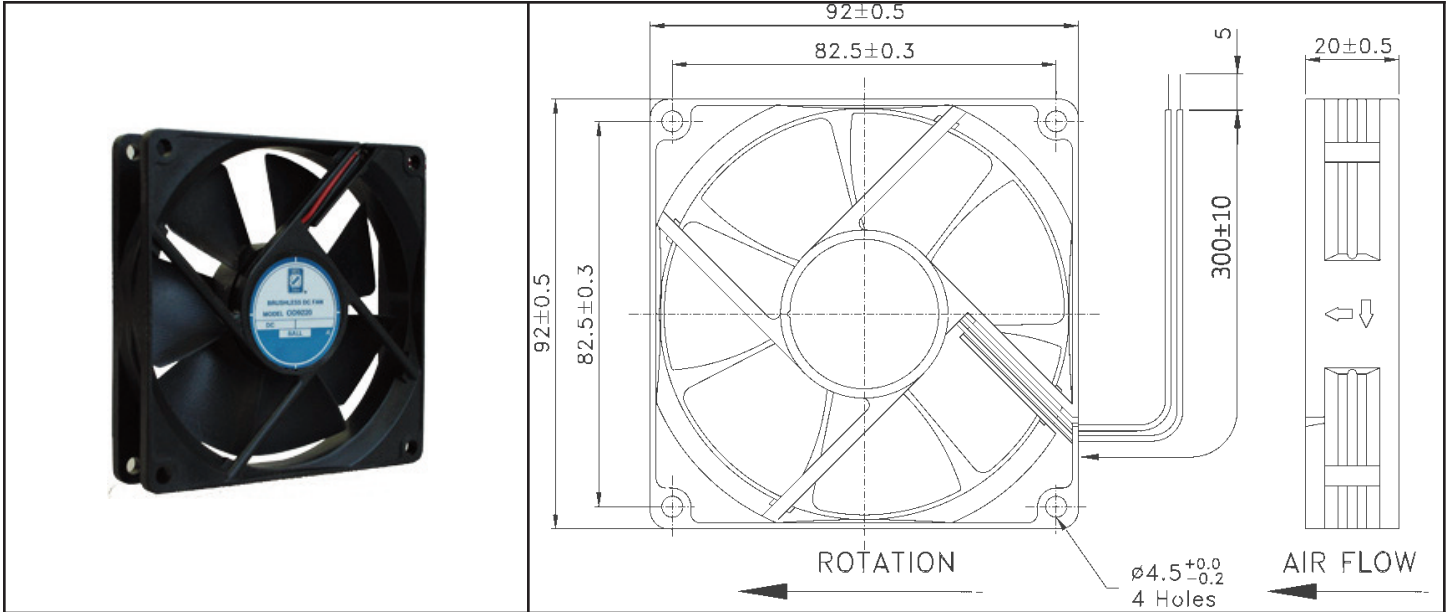


# OD9220 Series



DC Fan - 12, 24V  
92x20mm (3.6"x 0.79")



<b>Frame &amp; Impeller</b>	PBT, UL94V-0 plastic	<b>Available Options</b>	
<b>Connection</b>	2x Lead wires 24AWG	Tachometer - Open Collector Locked Rotor Alarm	
<b>Motor</b>	Brushless DC, auto restart, polarity protected	Weight: ~0.19 lbs	
<b>Bearing System</b>	Dual ball bearing	<b>Life Expectancy (L10)</b> 65,000 hours (45C)	
<b>Insulation Resistance</b>	10M ohm between leadwire and frame (500VDC)		
<b>Dielectric Strength</b>	1 minute at 500 VAC, max leakage < 500 MicroAmp		
<b>Temperature Range</b>	-20C ~ +75C		
<b>Storage Temperature</b>	-40C ~ +80C	m1	

Model Number	Speed (RPM)	Airflow (CFM)	Noise (dB)	Volts DC	Input Power (Watts)	Amps	Max. Static Pressure (H <sub>2</sub> O)
OD9220-12H*	2700	32	33	12	8~16	0.25	0.13
OD9220-12M*	2400	28	31	12	8~16	0.16	0.11
OD9220-24H*	2700	32	33	24	22~28	0.14	0.13
OD9220-24M*	2400	28	31	24	22~28	0.12	0.11

\* Indicate "B" to specify Ball bearing or "S" to specify Sleeve bearing