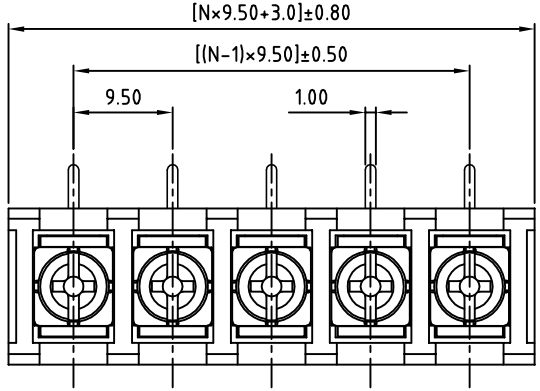


SIGN	DATE	DESCRIPTION	APPROVER

THIS IS CAD DRAWING, DO NOT REVISE MANUALLY!!!



N=Number of poles

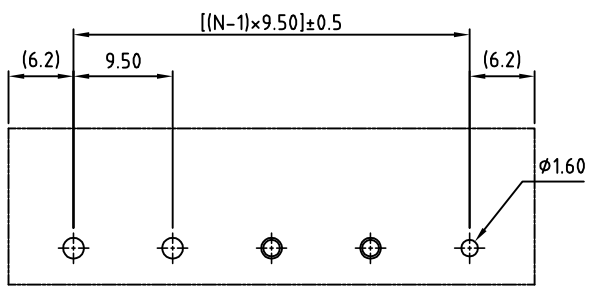
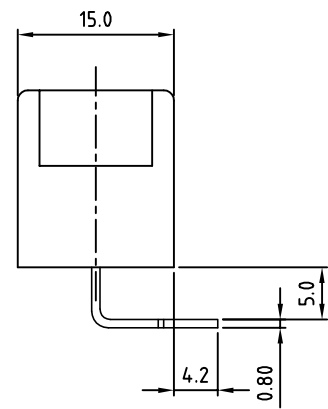
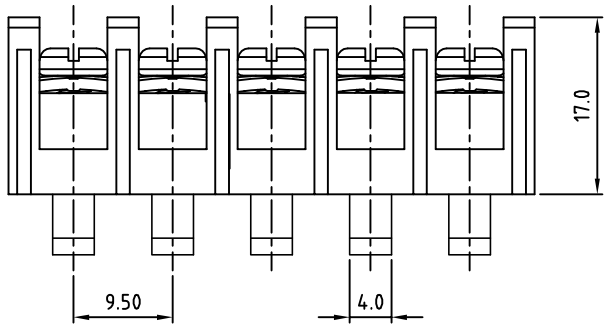
**SPECIFICATIONS**  
**VOLTAGE & CURRENT:** 300 V, 20 A  
**WITHSTANDING VOLTAGE:** AC 2000 V/Min  
**INSULATION RESISTANCE:** 1000 MΩ OR MORE AT DC 500 V  
**TEMPERATURE RANGE:** -40 °C ~ +105 °C  
**SCREW TORQUE VALUE:** 12 Lb-In.  
**WIRE RANGE:** 22 - 12AWG  
**1) MOLDED PARTS:** THERMOPLASTIC, UL 94 V-0 BLACK  
**2) TERMINAL:** BRASS, 0.8t, Tin PLATED  
**3) TERMINAL SCREWS:** STEEL, Ni PLATED, M3.5

APPROVAL:

RoHS Compliant

PART NUMBER: OSTYK503XX030

- NO. OF POLES
- 02: 2 POLES
  - 03: 3 POLES
  - 04: 4 POLES
  - ...
  - 30: 30 POLES



P.C.B LAYOUT

THESE DRAWINGS AND SPECIFICATIONS ARE THE PROPERTY OF ON-SHORE TECHNOLOGY, INC. AND SHALL NOT BE REPRODUCED, COPIED OR USED IN ANY MANNER WITHOUT THE PRIOR WRITTEN CONSENT OF ON-SHORE TECHNOLOGY, INC.



TITLE		OSTYK-503 Without Flange & W/O Cover Series				
PART NO.		OSTYK503XX030		DWG NO.		OSTYK503XX030.DWG
APPROVED	CHECKED	DESIGNED	DRAWN	CUST NO.	Tolerance	
Shi Jun 2007.07.18	Seamus 2007.07.18	LUCY 2007.7.18	LUCY 2007.7.18		UNIT: mm	X. ±0.50
					SCALE: NONE	X.X ±0.30
				SHEET: 01/01	REV.: B	X.XX ±0.10
						X° ±1°