

# LightHAWK®2 Passive Infrared Wall Switch Sensor

WALL SWITCH OCCUPANCY SENSORS

**TITLE  
24**  
COMPLIANCE



## Light HAWK®2



LHIRS1

### PROJECT INFORMATION

Project Name \_\_\_\_\_

Catalog No. \_\_\_\_\_

Date \_\_\_\_\_

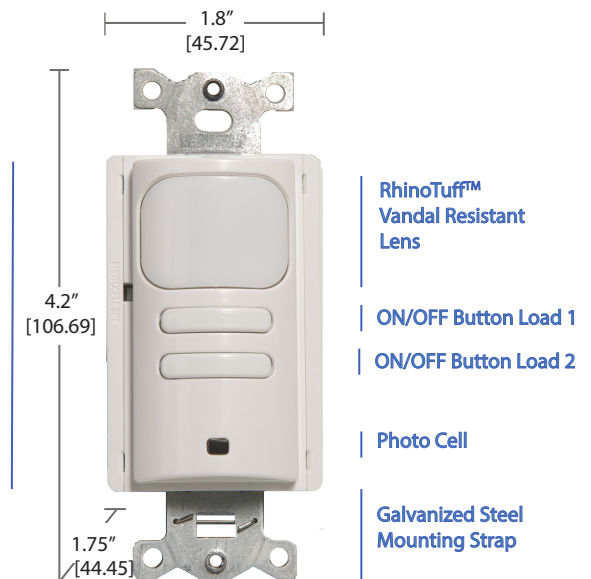
The *LightHAWK2* Passive Infrared Wall Switch Sensor uses passive infrared (PIR) technology to detect motion. The most affordable of the motion detecting technologies, this sensor type is ideal for detecting large motion in areas with an unobstructed view of the sensor. This sensor has a coverage area of up to 1,000 square feet and 180° of detection.

LHIR sensors feature Hubbell Controls' patented IntelliDAPT™ technology, which makes all the sensor adjustment decisions automatically. Throughout the product's lifespan, smart software analyzes the controlled area and makes digital adjustments to sensitivity and timer settings. Occupancy sensors with *IntelliDAPT* technology provide a maintenance-free install-and-forget operation. With selectable operating modes — automatic ON/OFF or manual ON/automatic OFF — and a built-in photosensor for automatic daylight harvesting, LHIRS sensors are the best choice in today's market place.

### PRODUCT FEATURES

- Digital passive infrared (PIR) sensor
- *IntelliDAPT* self-adaptive technology—no manual adjustment required
- Dual circuit has isolated relays
- Occupancy (auto-on) and Vacancy (manual-on) operating modes
- Available with or without Neutral
- 1,000 square-foot, 180° coverage area
- RhinoTuff™ vandal resistant lens
- 120/277VAC operation
- No minimum load requirement
- Zero Arc Point Switching
- Five-year limited warranty
- 120-277 Vac and 347 Vac models
- Low voltage device: 24 Vdc

Fits Standard  
Decorator Style  
Wallplate  
(sold separately)



LHDCIRD2

## General Specifications

IntelliDAPT® Technology	Self-adjusting timer Self-adjusting passive infrared (PIR) sensitivity Automatic false-on/false-off corrections No manual adjustments required
Time Delay	Auto mode: 4–30 minutes; self-adjusts based on occupancy Fixed mode: 4, 8, 15, and 30 minutes Test mode: 5 seconds
Passive Infrared (PIR)	Dual-element pyrometer and 12-element cylindrical RhinoTuff lens
Photocell	Natural light override range: 10–500 foot-candles
Coverage	1,000 square-foot, 180° coverage area
Power Requirements	120/277VAC; 50/60Hz 347VAC; 50/60Hz 24VDC (requires UVPP)
Electrical Ratings	120VAC: 800W Incandescent/ Electronic Ballast/ LED Driver 1,000W Magnetic Ballast 1/6 HP Motor 277VAC: 1,800W Magnetic Ballast /Electronic Ballast/ LED Driver; 1/6 HP Motor 347VAC: 1,500W Magnetic Ballast /Electronic Ballast/ LED Driver 1/6 HP Motor
Minimum Load Requirements	None
Operating Environment	Indoor use only Operating temperature: 32° to 104°F (0° to 40°C) Relative humidity (non-condensing): 0% to 95%
Construction	Casing—high-impact injection-molded plastic (UL-94-5V) Impact-resistant lens Color-coded leads are 6" long (152.4mm) Wrap-around galvanized steel mounting strap
Dimensions	4.2" H x 1.8" W x 1.75" D; .37" extension (106.69mm H x 45.72mm W x 44.45mm D; 9.40mm ext)
Weight	2.9 oz (82.21g)
Color	White; Ivory; Light Almond; Gray; Black
Mounting	Single-gang NEMA-style switch box (standard switch box) Decorator-style wall plate sold separately
Certifications	Listed UL, cUL
Warranty	Five-year limited

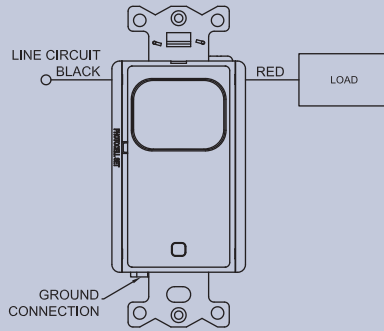
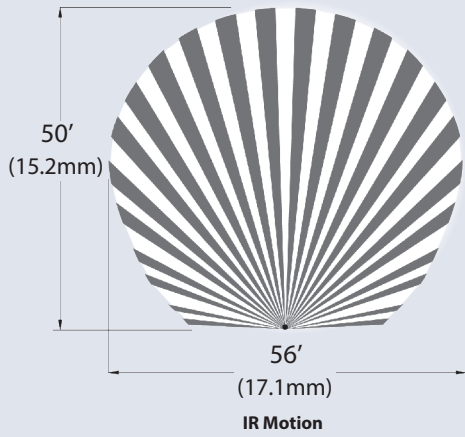
## Ordering Information

MODEL		BUTTONS	WIRING		COLOR		MODE	
<b>LHIRS</b>	LightHAWK®2 Passive Infrared Single Relay	<b>0</b>	<b>G</b>	Ground (120/277V)	<b>WH</b>	White	<b>(Blank)</b>	Switchable Vacancy or Occupancy Mode
<b>LHDCIRD</b>	LightHAWK2 Passive Infrared Dual Relay	<b>1*</b>	<b>N</b>	Neutral (120/277V)	<b>IV</b>	Ivory	<b>M</b>	Vacancy Mode Only
		<b>2†</b>	<b>24V</b>	Low Voltage	<b>LA</b>	Light Almond		
			<b>G347</b>	Ground (347V)	<b>GY</b>	Gray		
			<b>N347</b>	Neutral (347V)	<b>BK</b>	Black		

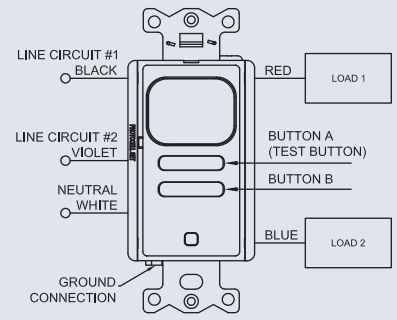
NOTE: \* Only available with LightHAWK2 Passive Infrared Single Relay

† Only available with LightHAWK2 Passive Infrared Dual Relay

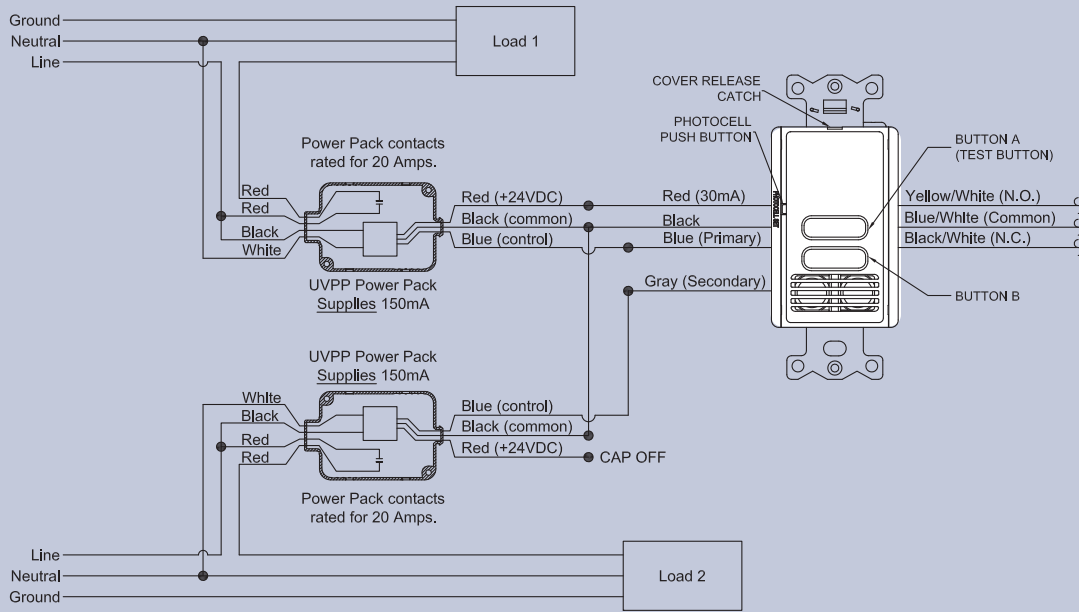
- Low voltage sensors require a power pack that is sold separately.



**Single Load Wiring Without Neutral**



**Dual Load Wiring With Neutral**



**Low Voltage Dual Level Control with Two Power Packs**