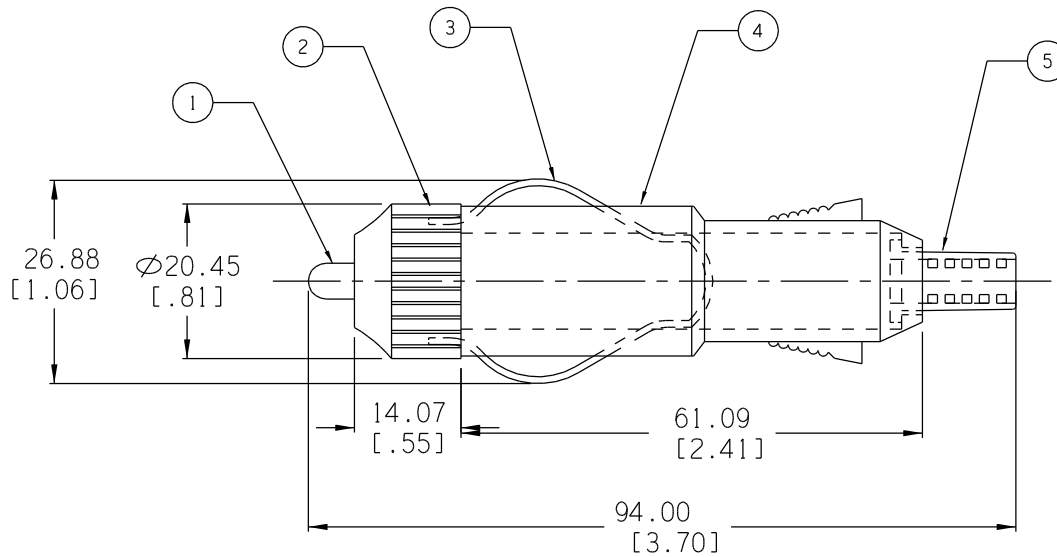



Date	SYM	REVISION RECORD	AUTH	DR.	CK.
12/16/06	A	Added "ROHS COMPLIANT"	T.B.	B.S.	



ITEM NO.	PART NAME	MATL. SPECIFICATION	CAT. NO.	APPROVED NO.
1	TIP CONTACT (+) TERMINAL	BRASS, NICKLE PLTD.		
2	NOSE CAP	BAKELITE, BLACK	T385J	E59481(S)
3	(-) TERMINAL	SWRH 1067 STEEL LINE, NICKLE PLTD		
4	BODY	ABS, BLACK, UL94-HB	PA-757	E56070(S)
5	STRAIN RELIEF	PVC, 100%		

NOTE:
 MAXIMUM RATING: 10AMP.
 ROHS COMPLIANT

Tolerance (Inches)	 Memory Protection Devices, Inc 200 Broad Hollow Road, Farmingdale, New York 11735	Scale	Drawn By B.S.
Decimal ±.5 (.020)		Approved By T.B.	
Fractional ± .8 (.030)	Title CIGARETTE PLUG FOR 21 OR 22.2mm SOCKETS		
Angular ± 3°	Date 12/16/06	Drawing Number ZA1080	