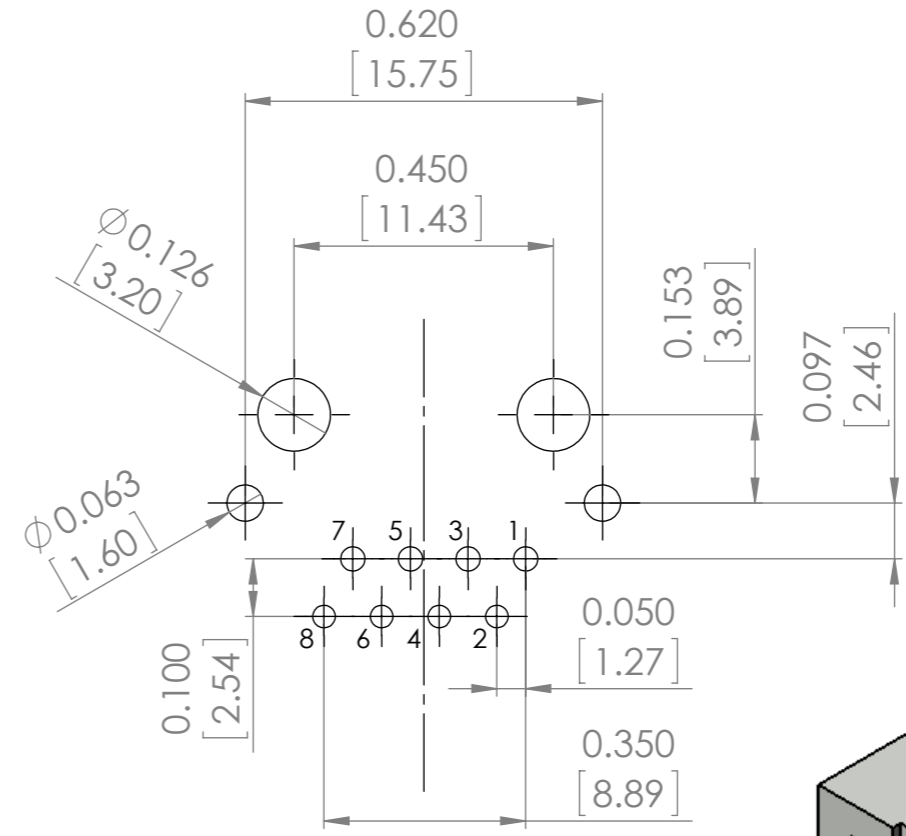
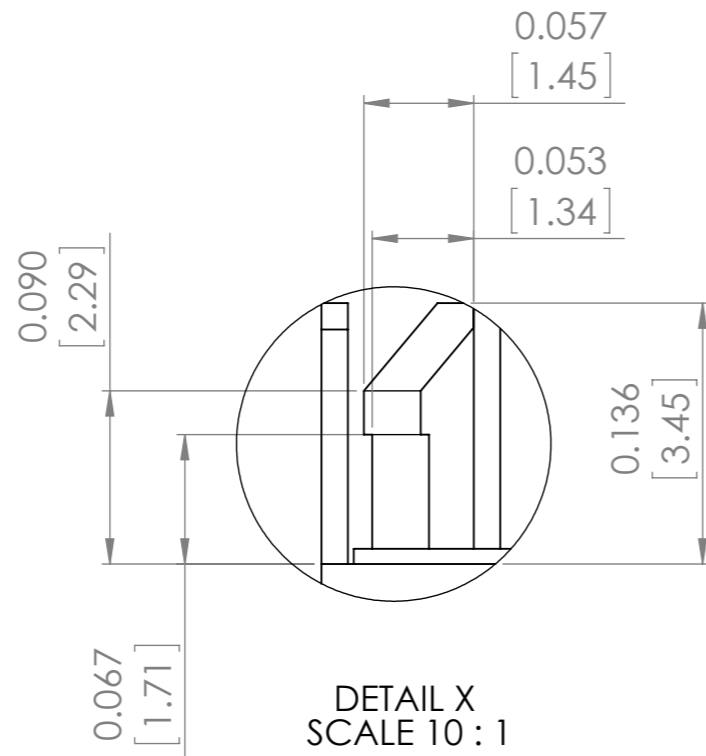
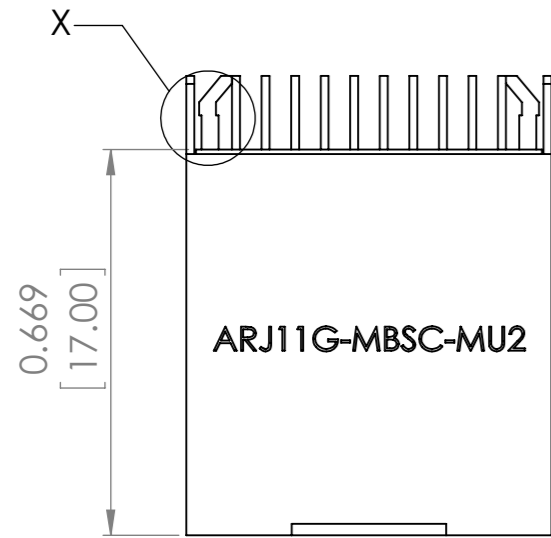
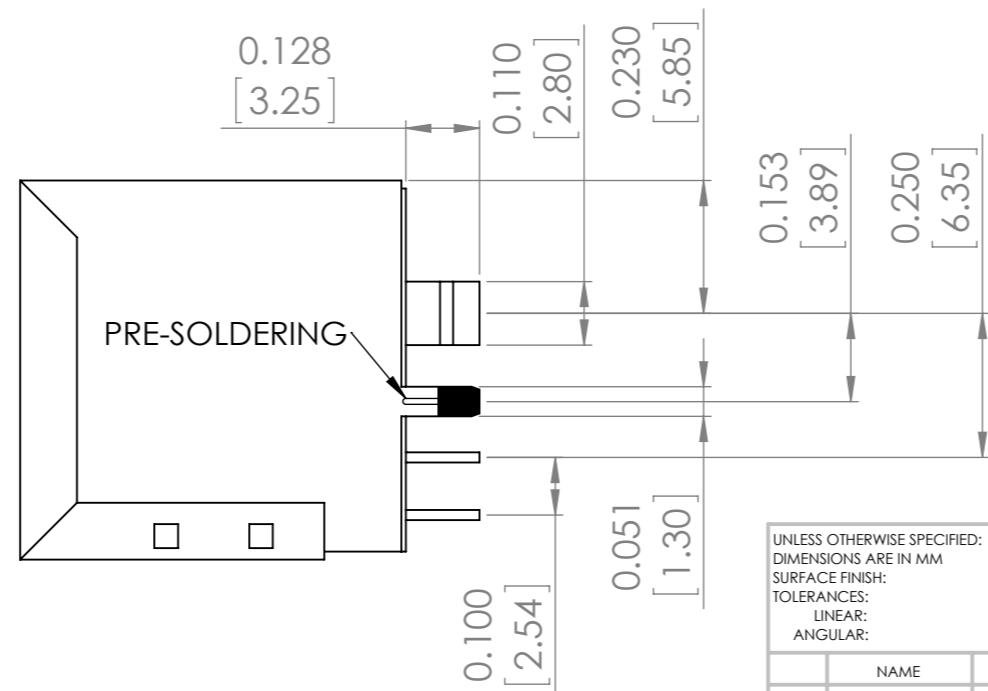
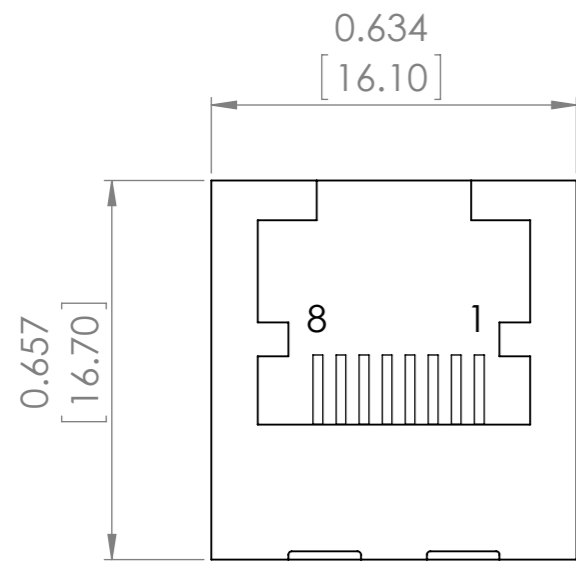
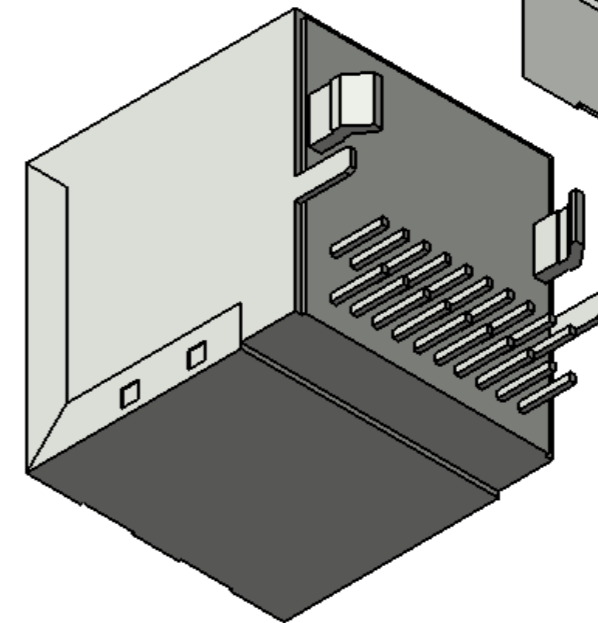
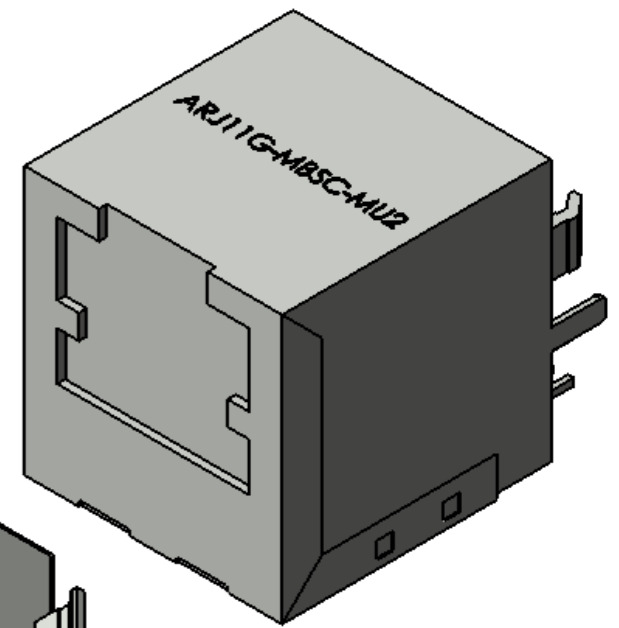


MB



**SUGGESTED PCB LAYOUT
(TOP VIEW)**



UNLESS OTHERWISE SPECIFIED: DIMENSIONS ARE IN MM SURFACE FINISH: TOLERANCES: LINEAR: ANGULAR:				FINISH:		DEBUR AND BREAK SHARP EDGES		DO NOT SCALE DRAWING		REVISION -																																																	
<table border="1"> <thead> <tr> <th></th> <th>NAME</th> <th>SIGNATURE</th> <th>DATE</th> <th></th> <th></th> <th></th> <th></th> </tr> </thead> <tbody> <tr> <td>DRAWN</td> <td>SAZVAT</td> <td></td> <td></td> <td></td> <td></td> <td></td> <td></td> </tr> <tr> <td>CHK'D</td> <td>XXXXXX</td> <td></td> <td></td> <td></td> <td></td> <td></td> <td></td> </tr> <tr> <td>APPV'D</td> <td></td> <td></td> <td></td> <td></td> <td></td> <td></td> <td></td> </tr> <tr> <td>MFG</td> <td></td> <td></td> <td></td> <td></td> <td></td> <td></td> <td></td> </tr> <tr> <td>Q.A</td> <td></td> <td></td> <td></td> <td></td> <td></td> <td></td> <td></td> </tr> </tbody> </table>									NAME	SIGNATURE	DATE					DRAWN	SAZVAT							CHK'D	XXXXXX							APPV'D								MFG								Q.A								<p>ABRACON CORPORATION 30332 Esperanza, Rancho Santa margarita, California 92688</p>			
	NAME	SIGNATURE	DATE																																																								
DRAWN	SAZVAT																																																										
CHK'D	XXXXXX																																																										
APPV'D																																																											
MFG																																																											
Q.A																																																											
								TITLE: Magnetics																																																			
								DWG NO. ARJ11G-MBSC-MU2		A3																																																	
								SCALE:3:1		SHEET 1 OF 1																																																	