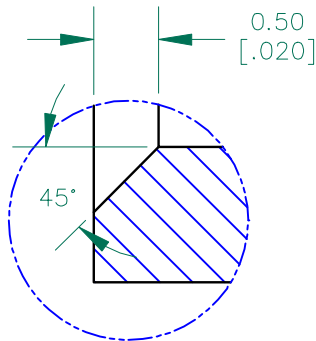


SECTION A-A

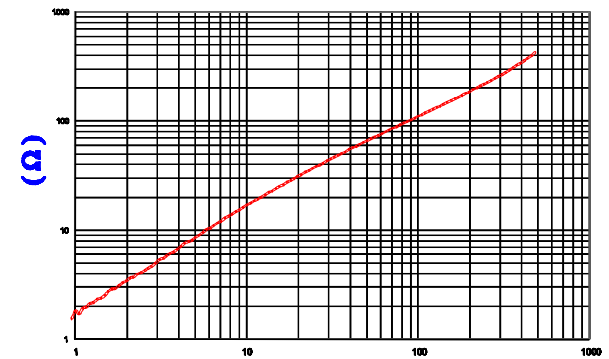


DETAIL "A"
CHAMFER
SCALE=6:1
TYPICAL

UNCONTROLLED DOCUMENT

IMPEDANCE (Z)			
Frequency	25 MHz	100 MHz	300 MHz
Nominal (REF)	36 Ω	104 Ω	241 Ω
Minimum	- Ω	83 Ω	- Ω

Z vs. FREQUENCY
(REF. ONLY)

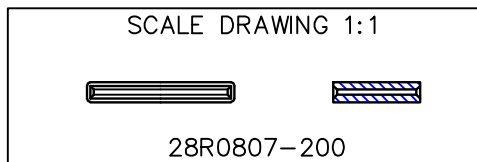


FREQUENCY (MHz)
AGILENT E4991A Impedance/Material Analyzer
HP 16082A Test Fixture,

FERRITE CORE DIMENSIONS (SPEC):

A	20.50 [.807]	+ 0.30 [.012]
B	18.50 [.728]	+ 0.30 [.012]
C	12.00 [.473]	+ 0.25 [.010]
D	2.80 [.110]	+ 0.30 [.012]
E	0.70 [.028]	+ 0.30 [.012]

WEIGHT/1000 2.60 kgs [5.73 Lbs]



DIMENSIONS ARE IN mm[INCHES].				This print is the property of Laird Tech. and is loaned in confidence subject to return upon request and with the understanding that no copies shall be made without the written consent of Laird Tech. All rights to design or invention are reserved.			
				PROJECT/PART NUMBER:	REV	PART TYPE:	DRAWN BY:
				28R0807-200	A	FERRITE RIBBON CORE	QIU
				DATE:	SCALE:	MATERIAL:	
				08/03/11	3 : 1	FERRITE	
				CAD #	TOOL #		
				28R0807-200-A	R0807		
REV	DESCRIPTION	DATE	INT				
A	ORIGINAL DRAFT	08/03/11	QIU				