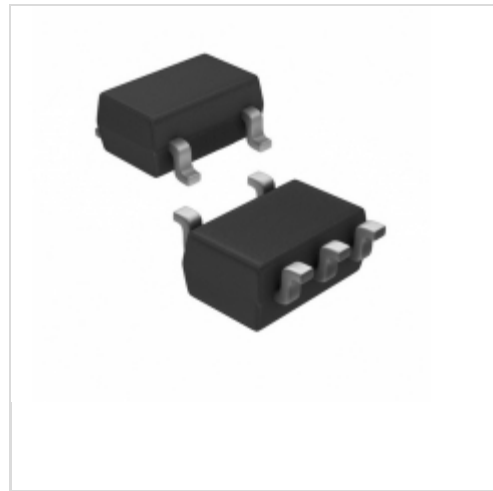


## S-1000N31-M5T1U



[SII Semiconductor Corporation](#)

IC VOLT DETECTOR

Lead free / RoHS Compliant

Integrated Circuits (ICs)

[S-1000N31-M5T1U.pdf](#)

**Buy Now**

We can supply SII Semiconductor Corporation S-1000N31-M5T1U, use the request quote form to request S-1000N31-M5T1U price, SII Semiconductor Corporation Datasheet PDF and lead time. Zeano.com is a professional electronic components distributor. With 3+ Million line items of available electronic components can ship in short lead-time, over 250 thousand part numbers of electronic components in stock for immediately delivery, which may include part number S-1000N31-M5T1U. The price and lead time for S-1000N31-M5T1U depending on the quantity required, availability and warehouse location.

**In Stock**

**100 pcs**

Minimum: 1

Multiples: 100

Manufacturer lead time 10 weeks

### PRICE

1 pcs	\$0.82
10 pcs	\$0.721
25 pcs	\$0.639
100 pcs	\$0.556
250 pcs	\$0.484
500 pcs	\$0.412
1000 pcs	\$0.33

## Shopping Process

**1**

Confirm the product

**2**

submit the order

**3**

payment

**4**

wait for delivery

**5**

receive the goods

## Specifications

<b>Voltage - Threshold:</b>	3.1V
<b>Type:</b>	Voltage Detector
<b>Supplier Device Package:</b>	SOT-23-5
<b>Series:</b>	S-1000
<b>Reset Timeout:</b>	-
<b>Reset:</b>	Active Low
<b>Packaging:</b>	Original-Reel®
<b>Package / Case:</b>	SC-74A, SOT-753
<b>Output:</b>	Open Drain or Open Collector
<b>Operating Temperature:</b>	-40°C ~ 85°C (TA)
<b>Number of Voltages Monitored:</b>	1
<b>Mounting Type:</b>	Surface Mount

## Related products



**S-1000N30-N4T1U**

IC VOLT DETECTOR

[SII Semiconductor Corporation](#)

RFQ



**S-1000N31-N4T1U**

IC VOLT DETECTOR

[SII Semiconductor Corporation](#)

RFQ



**S-1000N32-I4T1G**

IC VOLT DETECT N-CH 32V SNT-4A

[SII Semiconductor Corporation](#)

RFQ



**S-1000N31-M5T1G**

IC VOLT DETECT N-CH 31V SOT23-5

[SII Semiconductor Corporation](#)

RFQ



**S-1000N32-M5T1G**

IC VOLT DETECT N-CH 32V SOT23-5

[SII Semiconductor Corporation](#)

RFQ



**S-1000N31-I4T1G**

IC VOLT DETECT N-CH 31V SNT-4A

[SII Semiconductor Corporation](#)

RFQ



**S-1000N31-N4T1G**

IC VOLT DETECT N-CH 31V SC-82AB

[SII Semiconductor Corporation](#)

RFQ



**S-1000N32-I4T1U**

IC VOLT DETECT N-CH 32V SNT-4A

[SII Semiconductor Corporation](#)

RFQ



**S-1000N30-N4T1G**

IC VOLT DETECT N-CH 30V SC-82AB

[SII Semiconductor Corporation](#)

RFQ



**S-1000N31-I4T1U**

IC VOLT DETECT N-CH 31V SNT-4A

[SII Semiconductor Corporation](#)

RFQ

## Guess You May Looking For

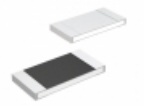


**RGH2012-2E-P-820-B**

RES SMD 82 OHM 0.1% 1/4W 0805

[Susumu](#)

RFQ



**MCR10EZPF3163**

RES SMD 316K OHM 1% 1/8W 0805

[Rohm Semiconductor](#)

RFQ

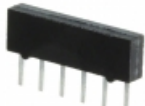


**4310R-101-122LF**

RES ARRAY 9 RES 1.2K OHM 10SIP

[Bourns Inc.](#)

RFQ



**4306R-101-154**

RES ARRAY 5 RES 150K OHM 6SIP

[Bourns Inc.](#)

RFQ



**4116R-1-430**

RES ARRAY 8 RES 43 OHM 16DIP

[Bourns Inc.](#)

RFQ



**ERG-2S332**

RES 3.3K OHM 2W 5% AXIAL

[Panasonic Electronic Components](#)

RFQ



**CMF55120R00FKRE**

RES 120 OHM 1/2W 1% AXIAL

[Vishay Dale](#)

RFQ



**CMF55143K00FKR670**

RES 143K OHM 1/2W 1% AXIAL

[Vishay Dale](#)

RFQ



**CMF606K0400FKR670**

RES 6.04K OHM 1W 1% AXIAL

[Vishay Dale](#)

RFQ



**CMF502K6100FKRE**

RES 2.61K OHM 1/4W 1% AXIAL

[Vishay Dale](#)

RFQ