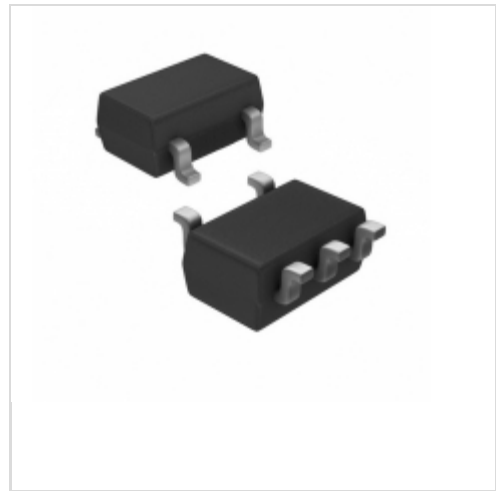


**FT838R-BL-RT**



**Fremont Micro Devices**

IC OFFLINE CTRLR CC/CV SOT23-5

Lead free / RoHS Compliant

Integrated Circuits (ICs)

[1.FT838R-BL-RT.pdf](#)

[2.FT838R-BL-RT.pdf](#)

**Buy Now**

part#FT838R-BL-RT is available, see description of FT838R-BL-RT as below .  
use the request quote form to request FT838R-BL-RT price and lead time.  
Buy Electronic Components at zeanoit.com .we are an independent distributor of electronic components with extensive inventory in stock.  
The price and lead time for FT838R-BL-RT depending on the quantity required, availability and warehouse location.Contact us today and our sales team will send you quotation soon.  
Email: sales@zeanoit.com

**Out Stock**  
**0 pcs**  
Minimum:1  
Multiples:100  
Manufacturer lead time 10 weeks

PRICE	
3000 pcs	\$0.14
6000 pcs	\$0.131
15000 pcs	\$0.122
30000 pcs	\$0.115
65535 pcs	\$0.108

**Shopping Process**

**1**

**Confirm the product**

**2**

**submit the order**

**3**

**payment**

**4**

**wait for delivery**

**5**

**receive the goods**

**Specifications**

<b>Voltage - Supply (Vcc/Vdd):</b>	6.6 V ~ 30 V
<b>Voltage - Start Up:</b>	17.6V
<b>Voltage - Breakdown:</b>	-
<b>Topology:</b>	Flyback
<b>Supplier Device Package:</b>	SOT-23-5
<b>Series:</b>	-
<b>Power (Watts):</b>	18W
<b>Packaging:</b>	Tape & Reel (TR)
<b>Package / Case:</b>	SC-74A, SOT-753
<b>Output Isolation:</b>	Isolated
<b>Operating Temperature:</b>	-40°C ~ 125°C (TA)
<b>Mounting Type:</b>	Surface Mount
<b>Internal Switch(s):</b>	No
<b>Frequency - Switching:</b>	-
<b>Fault Protection:</b>	Current Limiting, Open Circuit, Over Temperature, Over Voltage
<b>Duty Cycle:</b>	-
<b>Control Features:</b>	-

**Related products**



**FT839NB1**

[FMD](#)

**RFQ**



**FT839NB1-RT**

IC OFFLINE CTRLR CC/CV, 0% CABLE  
[Fremont Micro Devices USA](#)

**RFQ**



**FT839ND1-RT**

IC OFFLINE CTRLR CC/CV, 3% CABLE  
[Fremont Micro Devices USA](#)

**RFQ**



**FT838NB1-RT**

IC OFFLINE CTRLR CC/CV 8SOP  
[Fremont Micro Devices USA](#)

**RFQ**



**FT838D2-BL-RT**

IC OFFLINE CTRLR CC/CV SOT23-5  
[Fremont Micro Devices USA](#)

**RFQ**



**FT838NB1**

in stock  
[FMD](#)

**RFQ**



**FT838NB2-RT**

IC OFFLINE CTRLR CC/CV 8SOP  
[Fremont Micro Devices USA](#)

**RFQ**



**FT8831AD**

[FOCALTACH](#)

**RFQ**



**FT838RNA-RT**

IC OFFLINE CTRLR CC/CV 8SOP  
[Fremont Micro Devices USA](#)

**RFQ**

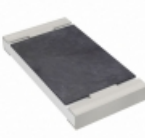


**FT838MBD-RB**

IC OFFLINE CTRLR CC/CV DIP-8  
[Fremont Micro Devices USA](#)

**RFQ**

**Guess You May Looking For**



**AA2010JK-07330KL**

RES SMD 330K OHM 5% 3/4W 2010  
[Yageo](#)

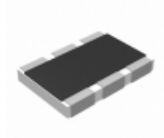
**RFQ**



**RNCF0402BTC2K74**

RES SMD 2.74KOHM 0.1% 1/16W 0402  
[Stackpole Electronics Inc.](#)

**RFQ**



**RC1218FK-0769K8L**

RES SMD 69.8K OHM 1W 1812 WIDE  
[Yageo](#)

**RFQ**



**RT0805CRC07160KL**

RES SMD 160K OHM 0.25% 1/8W 0805  
[Yageo](#)

**RFQ**



**RT0805CRC07340RL**

RES SMD 340 OHM 0.25% 1/8W 0805  
[Yageo](#)

**RFQ**



**RNCF1206BTC294K**

RES SMD 294K OHM 0.1% 1/3W 1206  
[Stackpole Electronics Inc.](#)

**RFQ**



**SMM02070C2370FBS00**

RES SMD 237 OHM 1% 1W MELF  
[Vishay Beyschlag](#)

**RFQ**



**RC2512FK-076R8L**

RES SMD 6.8 OHM 1% 1W 2512  
[Yageo](#)

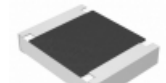
**RFQ**



**AT0402CRD0711KL**

RES SMD 11K OHM 0.25% 1/16W 0402  
[Yageo](#)

**RFQ**



**ERJ-S14F5363U**

RES SMD 536K OHM 1% 1/2W 1210  
[Panasonic Electronic Components](#)

**RFQ**

