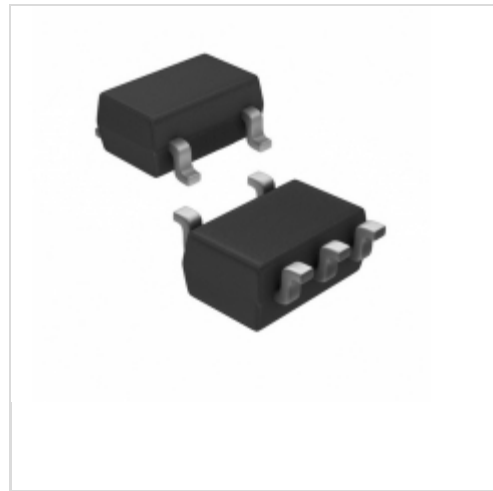


## HN4A51JTE85LF



**Toshiba Semiconductor and Storage**

TRANS 2PNP 120V 0.1A SMV  
Lead free / RoHS Compliant  
Discrete Semiconductor Products

[HN4A51JTE85LF.pdf](#)

**Buy Now**

Images are for reference only.

See Product Specifications for product details.

If you are interested to buy HN4A51JTE85LF, Just Email us.

Sales@zeanoit.com

our sales team will reply you within 24 hours

**Out Stock**

0 pcs

Minimum:1

Multiples:100

Manufacturer lead time 10 weeks

**PRICE**

3000 pcs	\$0.13
6000 pcs	\$0.122
15000 pcs	\$0.114
30000 pcs	\$0.105
65535 pcs	\$0.101

### Shopping Process

**1**

Confirm the product

**2**

submit the order

**3**

payment

**4**

wait for delivery

**5**

receive the goods

### Specifications

<b>Voltage - Collector Emitter Breakdown (Max):</b>	120V
<b>Vce Saturation (Max) @ Ib, Ic:</b>	300mV @ 1mA, 10mA
<b>Transistor Type:</b>	2 PNP (Dual)
<b>Supplier Device Package:</b>	SMV
<b>Series:</b>	-
<b>Power - Max:</b>	300mW
<b>Packaging:</b>	Tape & Reel (TR)
<b>Package / Case:</b>	SC-74A, SOT-753
<b>Operating Temperature:</b>	150°C (TJ)
<b>Mounting Type:</b>	Surface Mount
<b>Frequency - Transition:</b>	100MHz
<b>DC Current Gain (hFE) (Min) @ Ic, Vce:</b>	200 @ 2mA, 6V
<b>Current - Collector Cutoff (Max):</b>	100nA (ICBO)
<b>Current - Collector (Ic) (Max):</b>	100mA

### Related products



**HN4A08J**  
TOSHIBA

RFQ



**HN4B01JE(TE85L,F)**  
TRANS NPN/PNP 50V 0.15A ESV PLN  
Toshiba Semiconductor and Storage

RFQ



**HN4843CG**  
in stock  
Mingtek

RFQ



**HN4B04J**  
TOSHIBA

RFQ



**HN4A51J**  
TOSHIBA

RFQ



**HN4B04J(TE85L,F)**  
TRANS NPN/PNP 30V 0.5A SMV  
Toshiba Semiconductor and Storage

RFQ



**HN4A06J(TE85L,F)**  
TRANS 2PNP 120V 0.1A SMV  
Toshiba Semiconductor and Storage

RFQ



**HN4872CG**  
in stock  
Mingtek

RFQ



**HN4A56JU**  
in stock  
TOSHIBA

RFQ



**HN4A56JU(TE85L,F)**  
TRANS 2 PNP 50V 150MA 5TSSOP  
Toshiba Semiconductor and Storage

RFQ

### Guess You May Looking For



**102990011**  
LOGICSTART MEGAWING  
Seed Technology Co., Ltd

RFQ



**MIKROE-782**  
BOARD MIKROMEDIA GAMING SHIELD  
MikroElektronika

RFQ



**249**  
DATA-LOGGER PACK LIGHT/TEMP  
Adafruit Industries LLC

RFQ



**MIKROE-1639**  
STORM CHASER CLICK PACK  
MikroElektronika

RFQ



**ISL9000BJEV2**  
EVAL BOARD 1.5V/2.8V ISL9000BJ  
Intersil

RFQ



**MCP1726EV**  
BOARD EVAL FOR MCP1726  
Microchip Technology

RFQ



**LP2996LQEQVAL**  
BOARD EVALUATION LP2996LQ  
Texas Instruments

RFQ



**MCP6XXXEV-AMP3**  
BOARD AMPLIFIER EVAL 3 MCP6XXX  
Microchip Technology

RFQ



**TS1102-25DB**  
BOARD DEMO TS1102-25  
Touchstone Semiconductor

RFQ



**TS1110-200DB**  
DEMO BOARD TS1110-200 OPAMP  
Silicon Labs

RFQ