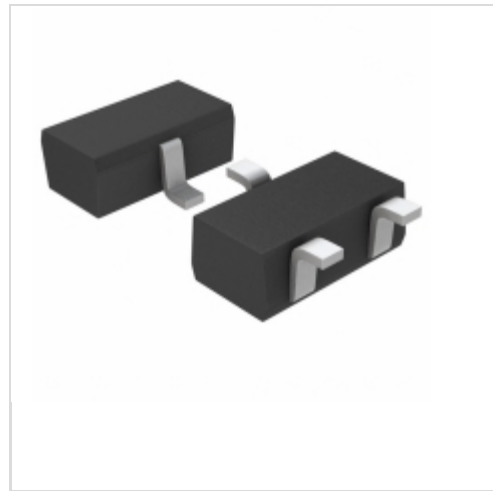


2SK33720RL



Panasonic

JFET N-CH 2MA 100MW SSSMINI-3P
Lead free / RoHS Compliant
Discrete Semiconductor Products

[2SK33720RL.pdf](#)

Buy Now

Images are for reference only.

See Product Specifications for product details.

If you are interested to buy 2SK33720RL, Just Email us.

Sales@zeanoit.com

our sales team will reply you within 24 hours

Shopping Process

1

Confirm the product

2

submit the order

3

payment

4

wait for delivery

5

receive the goods

Specifications

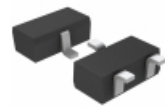
Voltage - Cutoff (VGS off) @ Id:	-
Supplier Device Package:	SSSMini3-F1
Series:	-
Resistance - RDS(On):	-
Power - Max:	100mW
Packaging:	Tape & Reel (TR)
Package / Case:	SOT-723
Operating Temperature:	-20°C ~ 80°C (TA)
Mounting Type:	Surface Mount
Input Capacitance (Ciss) (Max) @ Vds:	-
FET Type:	N-Channel
Drain to Source Voltage (Vdss):	20V
Current Drain (Id) - Max:	2mA
Current - Drain (Idss) @ Vds (Vgs=0):	107µA @ 2V

Related products

Panasonic

2SK33720VL
PANASONIC

RFQ



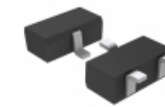
2SK33720SL
JFET N-CH 2MA 100MW SSSMINI-3P
Panasonic Electronic Components

RFQ

Panasonic

2SK337209RL-
Panasonic

RFQ



2SK33720UL
JFET N-CH 2MA 100MW SSSMINI-3P
Panasonic Electronic Components

RFQ

Panasonic

2SK337209L
Panasonic

RFQ

Panasonic

2SK337209SL-
PANASONIC

RFQ



2SK33720TL
JFET N-CH 2MA 100MW SSSMINI-3P
Panasonic Electronic Components

RFQ

Panasonic

2SK337209SL
PANASONIC

RFQ

Panasonic

2SK33720HL
Panasonic

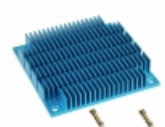
RFQ

Panasonic

2SK33720SLBF
PANASONIC

RFQ

Guess You May Looking For



ATS-14D-206-C2-R0
HEATSINK 60X60X10MM XCUT T766
Advanced Thermal Solutions Inc.

RFQ



ATS-20D-192-C2-R0
HEATSINK 45X45X35MM R-TAB T766
Advanced Thermal Solutions Inc.

RFQ



ATS-11F-208-C1-R0
HEATSINK 70X70X6MM XCUT
Advanced Thermal Solutions Inc.

RFQ



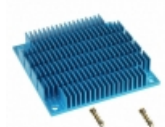
ATS-08H-96-C2-R0
HEATSINK 40X40X35MM R-TAB T766
Advanced Thermal Solutions Inc.

RFQ



ATS-12A-70-C2-R0
HEATSINK 45X45X25MM L-TAB T766
Advanced Thermal Solutions Inc.

RFQ



ATS-09B-205-C2-R0
HEATSINK 60X60X6MM XCUT T766
Advanced Thermal Solutions Inc.

RFQ



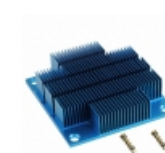
ATS-11B-70-C2-R0
HEATSINK 45X45X25MM L-TAB T766
Advanced Thermal Solutions Inc.

RFQ



ATS-17A-71-C3-R0
HEATSINK 45X45X30MM L-TAB T412
Advanced Thermal Solutions Inc.

RFQ



ATS-17H-108-C3-R1
HEATSINK 50X40X12.7MM XCUT T412
Advanced Thermal Solutions Inc.

RFQ



ATS-07D-208-C1-R0
HEATSINK 70X70X6MM XCUT
Advanced Thermal Solutions Inc.

RFQ