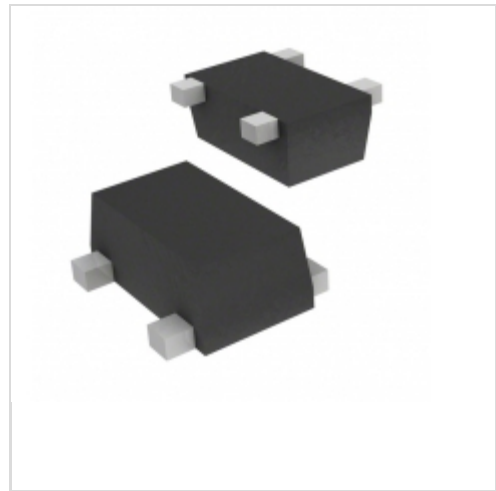


BFP843FH6327XTSA1



[International Rectifier \(Infineon Technologies\)](#)

TRANSISTOR RF NPN AMP SOT-343

Lead free / RoHS Compliant

Discrete Semiconductor Products

[BFP843FH6327XTSA1.pdf](#)

[Buy Now](#)

part#BFP843FH6327XTSA1 is available, see description of BFP843FH6327XTSA1 as below .

use the request quote form to request BFP843FH6327XTSA1 price and lead time.

Buy Electronic Components at zeanoit.com .we are an independent distributor of electronic components with extensive inventory in stock.

The price and lead time for BFP843FH6327XTSA1 depending on the quantity required, availability and warehouse location.Contact us today and our sales team will send you quotation soon.

Email: sales@zeanoit.com

Out Stock

0 pcs

Minimum:1

Multiples:100

Manufacturer lead time 10 weeks

PRICE

3000 pcs	\$0.167
6000 pcs	\$0.156
15000 pcs	\$0.146
30000 pcs	\$0.138

Shopping Process

1

Confirm the product

2

submit the order

3

payment

4

wait for delivery

5

receive the goods

Specifications

Voltage - Collector Emitter Breakdown (Max):	2.25V
Transistor Type:	NPN
Supplier Device Package:	SOT-343
Series:	-
Power - Max:	125mW
Packaging:	Tape & Reel (TR)
Package / Case:	SC-82A, SOT-343
Operating Temperature:	150°C (TJ)
Noise Figure (dB Typ @ f):	0.8dB ~ 1.7dB @ 450MHz ~ 10GHz
Mounting Type:	Surface Mount
Gain:	13.5dB ~ 25dB
Frequency - Transition:	-
DC Current Gain (hFE) (Min) @ Ic, Vce:	150 @ 15mA, 1.8V
Current - Collector (Ic) (Max):	55mA

Related products



BFP93AE6433

INFINEON

RFQ



BFP843F H6327

Infineon

RFQ



BFP92AW-GS08

VISHAY

RFQ



BFP92ARG

VISHAY

RFQ



BFP843F

HAM

RFQ



BFP840FESDH6327

INFINEON

RFQ



BFP843H6327XTSA1

TRANSISTOR RF NPN AMP SOT-343

Infineon Technologies

RFQ



BFP842ESDH6327XTSA1

IC TRANSISTOR RF NPN SOT343

Infineon Technologies

RFQ



BFP93A

infineon

RFQ



BFP840FESDH6327XTSA1

IC TRANSISTOR RF NPN TSFP-4

Infineon Technologies

RFQ

Guess You May Looking For



DAFIR-GEN-SC-U2

DEV IP CORE DA-FIR GEN SC/SCM

Lattice Semiconductor Corporation

RFQ



SWR-QUARTUS-SE-FIX

SUBSCRIPTION FIXED PC REPL

Altera

RFQ



GBPC1005-E4/51

DIODE GPP 1PH 3A 50V GBPC1

Vishay Semiconductor Diodes Division

RFQ



FBE22-06N1

RECT BRIDGE FAST SGL I4-PAC-5

IXYS

RFQ



GBU8B

RECT BRIDGE GPP 8A 100V GBU

Fairchild/ON Semiconductor

RFQ



VUO110-08N07

RECT BRIDGE 2PH 127A 800V PWS-E1

IXYS

RFQ



90MT120KB

RECT BRIDGE 1200V 90A MTK

Vishay Semiconductor Diodes Division

RFQ



52MT120KB

RECT BRIDGE 1200V 55A MTK

Vishay Semiconductor Diodes Division

RFQ



DF005S/27

RECTIFIER BRIDGE 1A 50V 4SMD

Vishay Semiconductor Diodes Division

RFQ



3N253

RECTIFIER BRIDGE 50V 2A KBPM

Fairchild/ON Semiconductor

RFQ