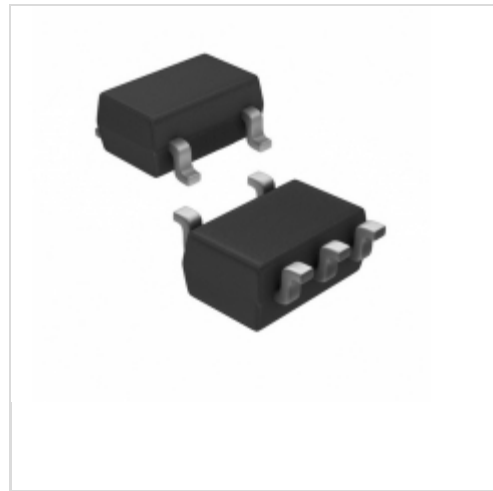


## S-1000C36-M5T1U



**SII Semiconductor Corporation**

IC VOLT DETECTOR  
Lead free / RoHS Compliant  
Integrated Circuits (ICs)

[S-1000C36-M5T1U.pdf](#)

**Buy Now**

**Out Stock**

**0 pcs**

Minimum:1

Multiples:100

Manufacturer lead time 10 weeks

Images are for reference only.

See Product Specifications for product details.

If you are interested to buy S-1000C36-M5T1U,Just Email us.

Sales@zeanoit.com

our sales team will reply you within 24 hours

### Shopping Process

**1**

**Confirm the product**

**2**

**submit the order**

**3**

**payment**

**4**

**wait for delivery**

**5**

**receive the goods**

### Specifications

<b>Voltage - Threshold:</b>	3.6V
<b>Type:</b>	Voltage Detector
<b>Supplier Device Package:</b>	SOT-23-5
<b>Series:</b>	S-1000
<b>Reset Timeout:</b>	-
<b>Reset:</b>	Active Low
<b>Packaging:</b>	Tape & Reel (TR)
<b>Package / Case:</b>	SC-74A, SOT-753
<b>Output:</b>	Push-Pull, Totem Pole
<b>Operating Temperature:</b>	-40°C ~ 85°C (TA)
<b>Number of Voltages Monitored:</b>	1
<b>Mounting Type:</b>	Surface Mount

### Related products



**S-1000C36-I4T1G**

IC VOLT DETECTOR 36V SNT-4A  
[SII Semiconductor Corporation](#)

RFQ



**S-1000C37-I4T1U**

IC VOLT DETECTOR 37V SNT-4A  
[SII Semiconductor Corporation](#)

RFQ



**S-1000C36-I4T1U**

IC VOLT DETECTOR 36V SNT-4A  
[SII Semiconductor Corporation](#)

RFQ



**S-1000C36-M5T1G**

IC VOLT DETECTOR 36V SOT23-5  
[SII Semiconductor Corporation](#)

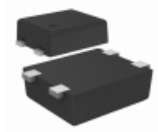
RFQ



**S-1000C35-N4T1G**

IC VOLT DETECTOR 35V SC-82AB  
[SII Semiconductor Corporation](#)

RFQ



**S-1000C37-I4T1G**

IC VOLT DETECTOR 37V SNT-4A  
[SII Semiconductor Corporation](#)

RFQ



**S-1000C37-M5T1G**

IC VOLT DETECTOR 37V SOT23-5  
[SII Semiconductor Corporation](#)

RFQ



**S-1000C36-N4T1U**

IC VOLT DETECTOR  
[SII Semiconductor Corporation](#)

RFQ



**S-1000C35-N4T1U**

IC VOLT DETECTOR  
[SII Semiconductor Corporation](#)

RFQ



**S-1000C36-N4T1G**

IC VOLT DETECTOR 36V SC-82AB  
[SII Semiconductor Corporation](#)

RFQ

### Guess You May Looking For



**RG1005V-1240-C-T10**

RES SMD 124 OHM 0.25% 1/16W 0402  
[Susumu](#)

RFQ



**MCR50JZH1693**

RES SMD 169K OHM 1% 1/2W 2010  
[Rohm Semiconductor](#)

RFQ



**4816P-T01-151LF**

RES ARRAY 8 RES 150 OHM 16SOIC  
[Bourns Inc.](#)

RFQ



**YC248-FR-0795R3L**

RES ARRAY 8 RES 95.3 OHM 1606  
[Yageo](#)

RFQ



**4420P-1-683**

RES ARRAY 10 RES 68K OHM 20SOIC  
[Bourns Inc.](#)

RFQ



**HBA22MFZRE**

RES 22M OHM 0.8W 1% RADIAL  
[TE Connectivity Passive Product](#)

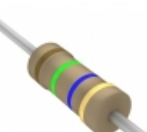
RFQ



**CMF50221R00FHEB**

RES 221 OHM 1/4W 1% AXIAL  
[Vishay Dale](#)

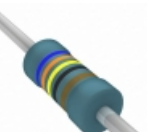
RFQ



**CF14JT15M0**

RES 15M OHM 1/4W 5% AXIAL  
[Stackpole Electronics Inc.](#)

RFQ



**SFR16S0006340FA500**

RES 634 OHM 1/2W 1% AXIAL  
[Vishay BC Components](#)

RFQ



**MBB02070C1131FCT00**

RES 1.13K OHM 0.6W 1% AXIAL  
[Vishay BC Components](#)

RFQ